

# WCO SERIES

## Split-Core Current Transformers

WCO is the smallest size CT in our split-core Series family. It is quite compact and light suitable for small load and residential applications. WCO is ideal for fitting inside panel boxes and tight installation spaces, and yet has the durability & rugged design of WATTCORE products. This CT has the WC's trademark ergonomic secured Arc-Latch™ mechanism. Install with confidence from made in America design, quality and assembly!

### MECHANICAL

Window Size	0.45" x 0.47" [11.43mm x 11.94mm]
Wire Leads	6ft [1.8m] 22AWG black/white twisted UL1015 105°C 600V
Operating Temperature	-15°C to 80°C (90% Rel. Hum.)
Altitude	6,600ft [2012m]
Weight	0.12Lb [54.43g]
Keying Hole	Cable tie for locking or date tag
Ergonomic	Arc-Latch™ for EZ-Open, no tool

### ELECTRICAL

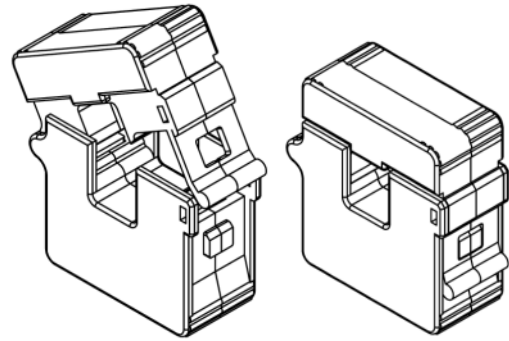
Primary Input (max.)	60A, AC Sine-wave 50/60Hz
Secondary Output	0.333VAC, full-scale
Accuracy (typical)	0.3%
Linearity	10% - 120%
Polarity	White (X1—Hi), Black (X2—Low)
Phase Direction	Arrow points toward Load
Frequency	40-400Hz

### REGULATORY STANDARDS

Voltage Rating	600V AC, BIL 10KV AC Full-wave
Construction	UL94V-0 flame retardant plastic, CATIII
Standards	UL2808, ANSI C57.13 & IEC61010-1 CSA C22.2 61010-1-12 & CE Mark

### INSTALLATION

For indoor use only. Turn off power source before working on CTs. Observe X1X2 polarity and read manufacture's instructions of the equipment you are connecting to CTs for proper installation guide. Professional installations required for safe handling and operation.

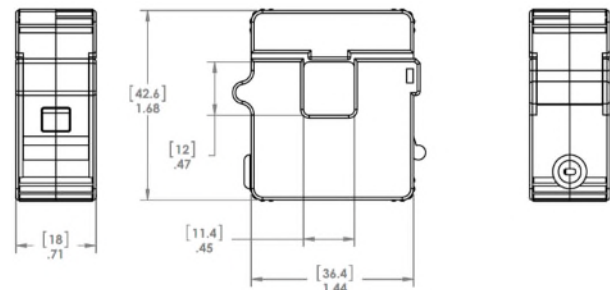


### MODELS

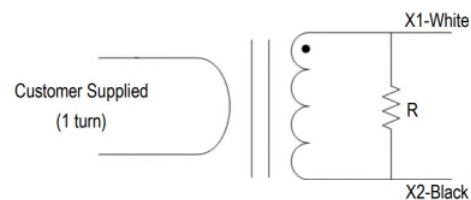
MODEL	RATIO*	ACCURACY
WCO-10-MV333	10A/0.333mV	0.3
WCO-20-MV333	20A/0.333mV	0.3
WCO-30-MV333	30A/0.333mV	0.3
WCO-60-MV333	60A/0.333mV	0.3

\*Custom ratio outputs available in mV, V & mA

### DIMENSIONS [mm]



### SCHEMATIC



De-energize source before installation! Observe local and national electrical codes for safety and compliance. Licensed electricians required. Use precaution when working with electricity!



WATTCORE INC | Core Solutions for Energy Management™  
6208 Oakton Street  
Morton Grove, IL 60053 (USA)  
571.482.6777 | sales@wattcore.com | www.wattcore.com