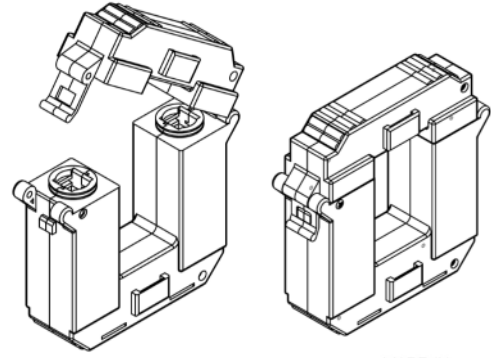


WC7 SERIES

Split-Core Current Transformers



WC7 is the ideal choice for commercial and industrial applications requiring rugged design and durability. The swing mechanism allows electricians to install at ease and glove friendly. This CT has the WC's trademark ergonomic secured Arc-Latch™ feature along with locking and servicing date tag provision. Install with confidence from made in America design, quality and assembly!



MECHANICAL

Window Size	1.63" x 2.50" [41.4mm x 63.5mm]
Wire Leads	6ft [1.8m] 18AWG black/white twisted UL1015 105°C 600V
Operating Temperature	-15°C to 80°C (90% Rel. Hum.)
Altitude	6,600ft [2012m]
Weight	1.75Lbs [0.8Kg]
Keying Hole	Plastic rivet for locking or date tag
Ergonomic	Arc-Latch™ for EZ-Open, no tool

ELECTRICAL

Primary Input (max.)	800A, AC Sine-wave 50/60Hz
Secondary Output	0.333VAC, full-scale
Accuracy (typical)	0.5%
Linearity	10% - 120%
Polarity	White (X1—Hi), Black (X2—Low)
Phase Direction	Arrow points toward Load
Frequency	40-400Hz

REGULATORY STANDARDS

Voltage Rating	600V AC, BIL 10KV AC Full-wave
Construction	UL94V-0 flame retardant plastic, CATIII 2X insulations, weatherproof (optional)
Standards	UL2808, ANSI C57.13 & IEC61010-1 CSA C22.2 61010-1-12 & CE Mark

INSTALLATION

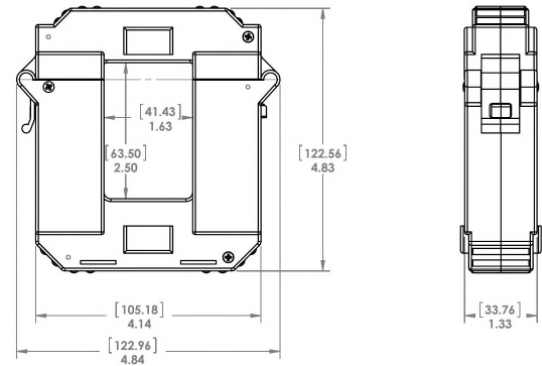
For indoor use only. Turn off power source before working on CTs. Observe X1X2 polarity and read manufacture's instructions of the equipment you are connecting to CTs for proper installation guide. Professional installations required for safe handling and operation.

MODELS

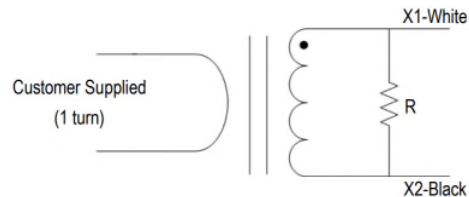
MODEL	RATIO*	ACCURACY
WC7-200-MV333	200A/0.333mV	0.5
WC7-400-MV333	400A/0.333mV	0.5
WC7-600-MV333	600A/0.333mV	0.5
WC7-800-MV333	800A/0.333mV	0.5

*Custom ratio outputs available in mV, V & mA

DIMENSIONS [mm]



SCHEMATIC



De-energize source before installation! Observe local and national electrical codes for safety and compliance. Licensed electricians required. Use precaution when working with electricity!



WATTCORE INC | Core Solutions for Energy Management™
6208 Oakton Street
Morton Grove, IL 60053 (USA)
571.482.6777 | sales@wattcore.com | www.wattcore.com