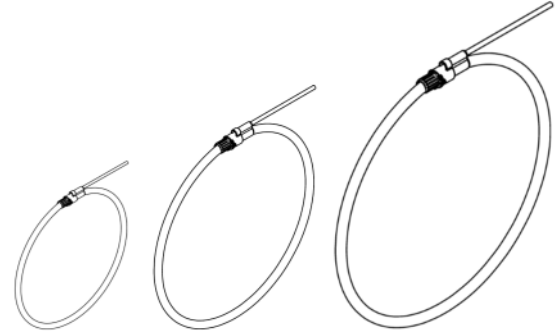


# WCR SERIES

## Rogowski Coil Current Transformers



WATTCORE Rogowski Coil CTs have a wide selection of length from 12"-72", the longest in the industry. With our custom winding techniques, WCR Series CTs are very accurate/linear over a broad range of CT Primary Current. WCR design construction has protected flexible UV jacket and sealed against tough environment making suitable for rugged industrial applications expected of WATTCORE products. Install with confidence from made in America design, quality and assembly!



### MECHANICAL

Window Size (min-max)	Ø3.6" - Ø22" [Ø9.14cm—Ø55.88cm]
Coil Length (min-max)	12" - 72" [25.40cm—182.88cm]
Wire Leads	6ft [1.8m] 24AWG black/red twisted UL2586 105°C 600V
Operating Temperature	-15°C to 80°C (90% Rel. Hum.)
Altitude	6,600ft [2012m]
Weight	Varied by model
Features	Glove friendly grip, twisted lock & tag

### ELECTRICAL


Primary Input (max.)	30,000A AC Sine-wave 50/60Hz
Secondary Output	175mV per 1KA AC @60Hz(unburdened)
Accuracy (typical)	0.75%
Linearity	10% - 120%
Polarity	Red (X1—Hi), Black (X2—Low)
Phase Direction	Arrow points toward Load
Frequency	20-400Hz

### REGULATORY STANDARDS

Voltage Rating	600V AC, BIL 10KV AC Full-wave
Construction	UL94V-0 flame retardant plastic, CAT IV Double Insulations, Pollution Degree 3
Standards	UL2808, ANSI C57.13 & IEC61010-1 CSA C22.2 61010-1-12 & CE Mark

### INSTALLATION

For indoor use only. Turn off power source before working on CTs. Observe X1X2 polarity and read manufacture's instructions of the equipment you are connecting to CTs for proper installation guide. Professional installations required for safe handling and operation.

 WATTCORE INC | Core Solutions for Energy Management™  
6208 Oakton Street  
Morton Grove, IL 60053 (USA)  
571.482.6777 | sales@wattcore.com | www.wattcore.com

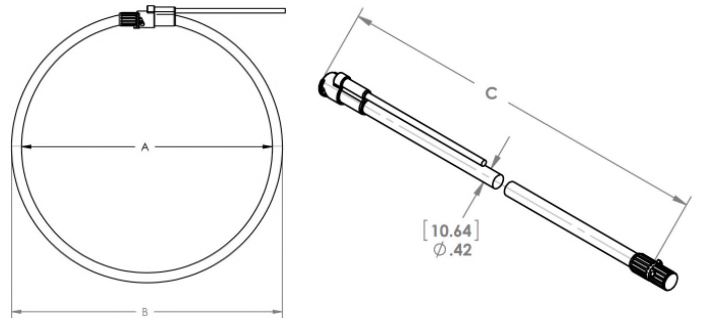


### MODELS

MODEL	RATIO*	ACCURACY
WCR16-2000-70MV	2000A/70mV	0.75
WCR24-4000-70MV	4000A/70mV	0.75
WCR36-6000-70MV	6000A/70mV	0.75
WCR48-8000-70MV	8000A/70mV	0.75

\*Custom ratios available up to 30,000A

### DIAGRAMS [mm]



### DIMENSIONS [cm]

MODEL	COIL ID (A)	COIL OD (B)	COIL LENGTH (C)*
WCR16	5.0" [12.70]	5.8" [14.73]	16" [40.64]
WCR24	7.6" [19.30]	8.4" [21.34]	24" [60.96]
WCR36	11.5" [29.21]	12.3" [31.24]	36" [91.44]
WCR48	15.3" [38.86]	16.1" [40.89]	48" [121.92]

\*Custom length available up to 72"(183cm)



De-energize source before installation! Observe local and national electrical codes for safety and compliance. Licensed electricians required. Use precautions when working with electricity!