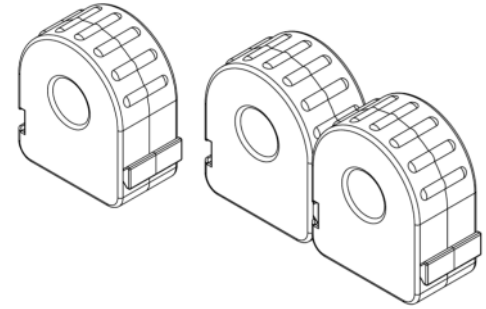


# WCS035 SERIES

## Solid-Core Current Transformers



WCS035 is designed for light load applications. Very unique to the industry, this CT shares feature of WCS020 by providing CT-2-CT™ cascading attachment mechanism thus decluttering wire hookups in small spaces. The bump lozenge ID shape allows for easy handling with gloves during installation without slipping. Install with confidence from made in America design, quality and assembly!



### MECHANICAL

Window Size	Ø0.35" [Ø8.89mm]
Wire Leads twisted	2ft [610mm] 22AWG black/white UL1015 105°C 600V
Operating Temperature	-15°C to 80°C (90% Rel. Hum.)
Altitude	6,600ft [2012m]
Weight	0.13Lb [59g]
Feature	Side attachment provision (no tool)
Ergonomic	Lozenge ID for glove-friendly handling

### ELECTRICAL

Primary Input (max.)	60A, AC Sine-wave 50/60Hz
Secondary Output	0.333VAC, full-scale
Accuracy (typical)	0.2%
Linearity	10% - 120%
Polarity	White (X1—Hi), Black (X2—Low)
Phase Direction	Arrow points toward Load
Frequency	40-400Hz

### REGULATORY STANDARDS

Voltage Rating	600V AC Insulation
Construction	UL94V-0 flame retardant plastic CATIII, Pollution Degree 3
Standards	UL2808, ANSI C57.13 & IEC61010-1 CSA C22.2 61010-1-12 & CE Mark

### INSTALLATION

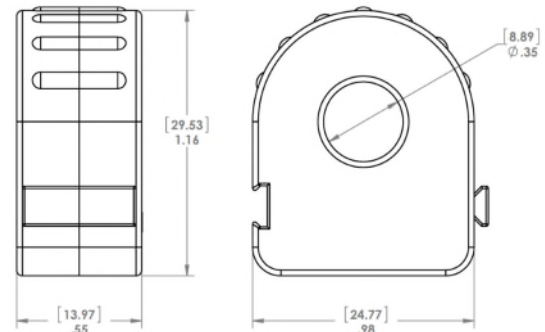
For indoor use only. Turn off power source before working on CTs. Observe X1X2 polarity and read manufacture’s instructions of the equipment you are connecting to CTs for proper installation guide. Professional installations required for safe handling and operation.

### MODELS

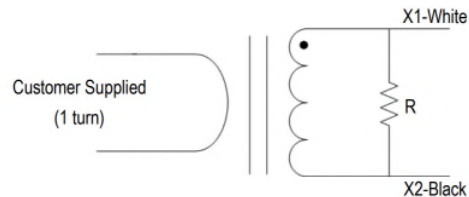
MODEL	RATIO*	ACCURACY
WCS035-20-MV333	20A/0.333mV	0.2
WCS035-30-MV333	30A/0.333mV	0.2
WCS035-40-MV333	40A/0.333mV	0.2
WCS035-60-MV333	60A/0.333mV	0.2

\*Custom ratio outputs available in mV, V & mA

### DIMENSIONS [mm]



### SCHEMATIC



De-energize source before installation! Observe local and national electrical codes for safety and compliance. Licensed electricians required. Use precautions when working with electricity!



WATTCORE INC | Core Solutions for Energy Management™  
6208 Oakton Street  
Morton Grove, IL 60053 (USA)  
571.482.6777 | sales@wattcore.com | www.wattcore.com