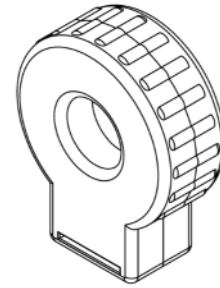


WCS075 SERIES

Solid-Core Current Transformers



WCS075 is designed for medium load applications. It's an ideal choice for commercial projects due to its 3/4" opening. WCS075 has rigid thermoplastic sealed case suitable for industrial environment with the durability & rugged design of WATTCORE products. The bump lozenge ID shape allows for easy handling with gloves during installation without slipping. Install with confidence from made in America design, quality and assembly!



MECHANICAL

Window Size	Ø0.75" [Ø19.05mm]
Wire Leads	6ft [1.8m] 18AWG black/white twisted UL1015 105°C 600V
Operating Temperature	-15°C to 80°C (90% Rel. Hum.)
Altitude	6,600ft [2012m]
Weight	0.25Lb [113.40g]
Feature	Slot provision for securing CT
Ergonomic	Lozenge ID for glove-friendly handling

ELECTRICAL

Primary Input (max.)	200A, AC Sine-wave 50/60Hz
Secondary Output	0.333VAC, full-scale
Accuracy (typical)	0.2%
Linearity	10% - 120%
Polarity	White (X1—Hi), Black (X2—Low)
Phase Direction	Arrow points toward Load
Frequency	40-400Hz

REGULATORY STANDARDS

Voltage Rating	600V AC, BIL 10KV AC Full-wave
Construction	UL94V-0 flame retardant plastic, CATIV Double insulations, Pollution Degree 3
Standards	UL2808, ANSI C57.13 & IEC61010-1 CSA C22.2 61010-1-12 & CE Mark

INSTALLATION

For indoor use only. Turn off power source before working on CTs. Observe X1X2 polarity and read manufacture's instructions of the equipment you are connecting to CTs for proper installation guide. Professional installations required for safe handling and operation.

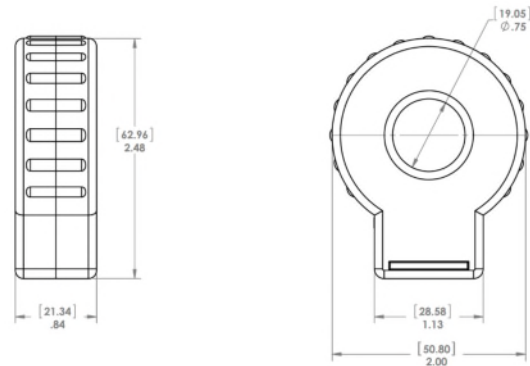


MODELS

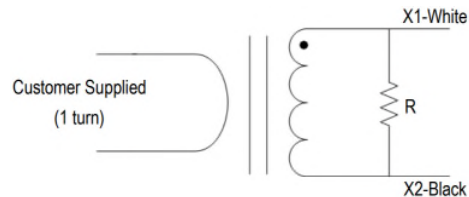
MODEL	RATIO*	ACCURACY
WCS075-100-MV333	100A/0.333mV	0.2
WCS075-130-MV333	130A/0.333mV	0.2
WCS075-160-MV333	160A/0.333mV	0.2
WCS075-200-MV333	200A/0.333mV	0.2

*Custom ratio outputs available in mV, V & mA

DIMENSIONS [mm]



SCHEMATIC



De-energize source before installation! Observe local and national electrical codes for safety and compliance. Licensed electricians required. Use precautions when working with electricity!



WATTCORE INC | Core Solutions for Energy Management™
6208 Oakton Street
Morton Grove, IL 60053 (USA)
571.482.6777 | sales@wattcore.com | www.wattcore.com