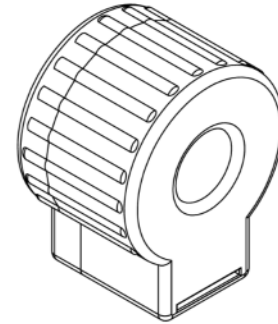


# WCS075 SERIES

## Solid-Core Current Transformers



WCS075 is designed for medium load applications. For 5A secondary, this CT is the smallest in the industry allowing fitting into tight area. WCS075 has rigid thermoplastic sealed case suitable for industrial environment with the durability & rugged design of WATTCORE products. The bump lozenge ID shape allows for easy handling with gloves during installation without slipping. Install with confidence from made in America design, quality and assembly!



### MECHANICAL

|                       |  |
|-----------------------|--|
| Window Size           | Ø0.75" [Ø19.05mm]                                      |
| Wire Leads            | 6ft [1.8m] 16AWG black/white twisted UL1015 105°C 600V |
| Operating Temperature | -15°C to 80°C (90% Rel. Hum.)                          |
| Altitude              | 6,600ft [2012m]  |
| Weight                | 0.60Lb [272.2g]  |
| Feature               | Slot provision for mounting CT                         |
| Ergonomic             | Lozenge ID for glove-friendly handling                 |

### ELECTRICAL

|                      |                               |
|----------------------|-------------------------------|
| Primary Input (max.) | 200A, AC Sine-wave 50/60Hz    |
| Secondary Output     | 5A, full-scale                |
| Accuracy (typical)   | 0.2%                          |
| Linearity            | 10% - 120%                    |
| Polarity             | White (X1—Hi), Black (X2—Low) |
| Phase Direction      | Arrow points toward Load      |
| Frequency            | 40-400Hz                      |

### REGULATORY STANDARDS

|                |   |
|----------------|---|
| Voltage Rating | 600V AC, BIL 10KV AC Full-wave  |
| Construction   | UL94V-0 flame retardant plastic, CATIV Double insulations, Pollution Degree 3 |
| Standards      | UL2808, ANSI C57.13 & IEC61010-1 CSA C22.2 61010-1-12 & CE Mark               |

### INSTALLATION

For indoor use only. Turn off power source before working on CTs. Observe X1X2 polarity and read manufacture's instructions of the equipment you are connecting to CTs for proper installation guide. Professional installations required for safe handling and operation.

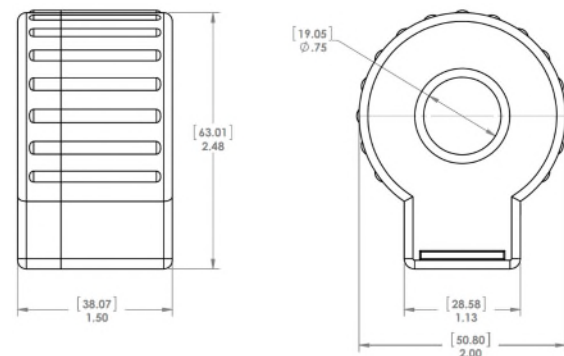


### MODELS

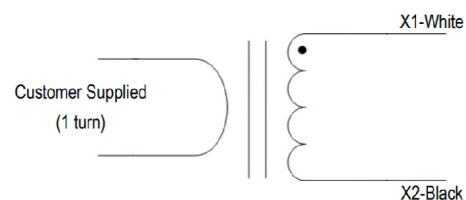
| MODEL          | RATIO* | ACCURACY |
|----------------|--------|----------|
| WCS075-150-RA5 | 150:5A | 0.3      |
| WCS075-160-RA5 | 160:5A | 0.3      |
| WCS075-180-RA5 | 180:5A | 0.2      |
| WCS075-200-RA5 | 200:5A | 0.2      |

\*Custom ratio outputs available in mV, V & mA

### DIMENSIONS [mm]



### SCHEMATIC



De-energize source before installation! Observe local and national electrical codes for safety and compliance. Licensed electricians required. Use precautions when working with electricity!



WATTCORE INC | Core Solutions for Energy Management™  
6208 Oakton Street  
Morton Grove, IL 60053 (USA)  
571.482.6777 | sales@wattcore.com | www.wattcore.com