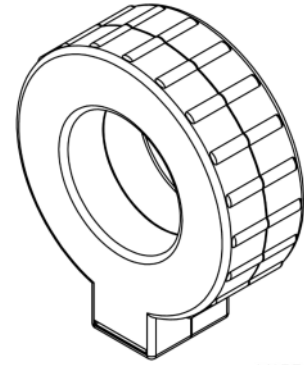


WCS250 SERIES

Solid-Core Current Transformers



WCS250 is the largest of the WCS Series and designed for high load applications requiring large primary cable. This solid-core CT has rigid thermoplastic sealed case suitable for industrial environment with the durability & rugged design of WATTCORE products. The bump lozenge ID shape allows for easy handling with gloves during installation without slipping. Install with confidence from made in America design, quality and assembly!

MECHANICAL

Window Size	Ø2.5" [Ø63.5mm]
Wire Leads	6ft [1.8m] 16AWG black/white twisted UL1015 105°C 600V
Operating Temperature	-15°C to 80°C (90% Rel. Hum.)
Altitude	6,600ft [2012m]
Weight	2.85Lbs [1.29Kg]
Feature	Slot provision for mounting CT
Ergonomic	Lozenge ID for glove-friendly handling



ELECTRICAL

Primary Input (max.)	1200A, AC Sine-wave 50/60Hz
Secondary Output	5A, full-scale
Accuracy (typical)	0.2%
Linearity	10% - 120%
Polarity	White (X1—Hi), Black (X2—Low)
Phase Direction	Arrow points toward Load
Frequency	40-400Hz

REGULATORY STANDARDS

Voltage Rating	600V AC, BIL 10KV AC Full-wave
Construction	UL94V-0 flame retardant plastic, CATIV Double insulations, Pollution Degree 3
Standards	UL2808, ANSI C57.13 & IEC61010-1 CSA C22.2 61010-1-12 & CE Mark

INSTALLATION

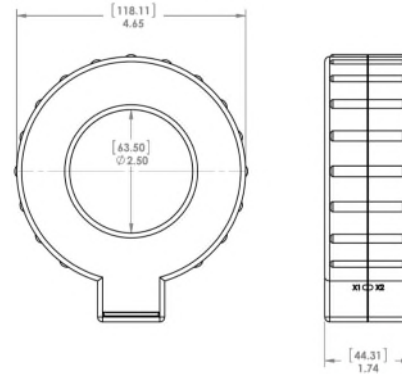
For indoor use only. Turn off power source before working on CTs. Observe X1X2 polarity and read manufacture's instructions of the equipment you are connecting to CTs for proper installation guide. Professional installations required for safe handling and operation.

MODELS

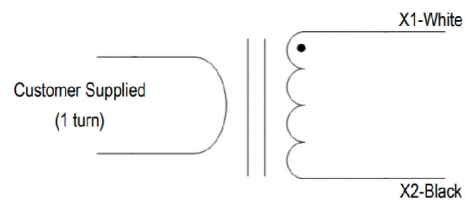
MODEL	RATIO*	ACCURACY
WCS250-400-RA5	400:5A	0.2
WCS250-600-RA5	600:5A	0.2
WCS250-800-RA5	800:5A	0.2
WCS250-1200-RA5	1200:5A	0.2

*Custom ratio outputs available in mV, V & mA

DIMENSIONS [mm]



SCHEMATIC



De-energize source before installation! Observe local and national electrical codes for safety and compliance. Licensed electricians required. Use precaution when working with electricity!



WATTCORE INC | Core Solutions for Energy Management™
6208 Oakton Street
Morton Grove, IL 60053 (USA)
571.482.6777 | sales@wattcore.com | www.wattcore.com